

CMW-K Cellular Modem Antenna



General Description:

The CMW-K magnetically mounted whip antenna is ideal for testing of M2M or other cellular modem based products.

This single unit can operate on all GSM and CDMA frequencies, eliminating the need for stocking separate antennas for GSM and CDMA use.

Features Include:

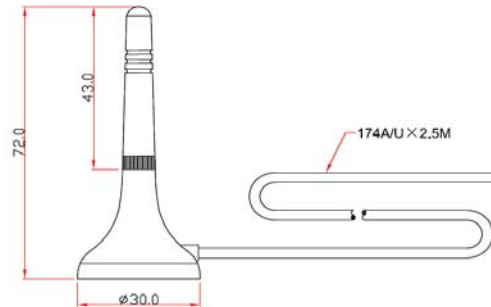
- Extremely small size
- Compatibility with CDMA and GSM modems
- Wide operating and storage temperature

Antenna RF Characteristics:

Parameter	Value
Operating Frequencies	800/900/1800/1900 MHz
Output VSWR:	1.5 dB typical
Output Impedance:	50 Ω

Environmental Specifications:

Parameter	Value
Operating Temperature Range:	-25° C to +70° C
Storage Temperature Range:	-40° C to +80° C
Humidity:	95% RH, non-condensing



Physical Specifications:

Parameter	Value
Dimensions:	30mm diameter x 72mm high
Weight:	30 grams (less cable & connector)
Mounting:	Magnetic
Coaxial Cable:	2.5 m, RG-174

Ordering Information:

Part Number	Connector Type
10001694	SMA Plug
10001695	FME Female

* Other connectors available on request

For configuration assistance, order placement and technical support call:



SYNERGY SYSTEMS, LLC
Time proven products and support

Phone: (858) 566-0666 · Fax (858) 566-0768
Email: Info@synergy-gps.com · www.synergy-gps.com