

AR-10S Active GPS Antenna



The AR-10S GPS antenna replaces the popular Synergy Systems SMA-35 antenna. Like the SMA-35, the AR-10S is solidly built and features both a high gain LNA and ceramic filter for exceptional performance in rugged electrical and environmental conditions.

Physical Specifications:

Parameter	Value
Dimensions:	58 x 48 x 13mm
Weight:	63 grams (less cable & connector)
Mounting:	Magnetic or Direct
Coaxial Cable:	5m RG-174

Environmental Specifications:

Parameter	Value
Operating Temp:	-40°C to +85°C
Storage Temp:	-50°C to +95°C
Humidity:	95%, non-condensing

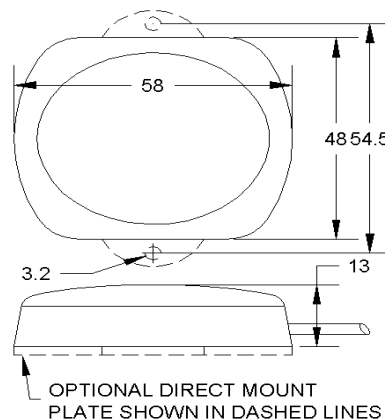
RoHS Compliant

Antenna Patch Element Characteristics:

Parameter	Value
Center Frequency:	1575.42 MHz
Bandwidth:	2 MHz
Polarization:	Right Hand Circular
Output VSWR:	1.5 dB maximum
Typical Gain:	+5dBi at zenith -1dBi at +10° elev
Output VSWR:	1.5 dB maximum
Output Impedance	50 Ω

LNA Characteristics:

Parameter	Value
Gain	+28dB typical
Noise Figure	1.5 dB typical
Filtering	-30 dB @ fo +/- 50MHz
Input Voltage	+2.5 to 5.5Vdc
Input Current	12 mA typical
RF input w/o damage	1W maximum



Ordering Information:

P/N	Configuration
10001273G	str BNC, 5m cable, mag mnt
10001334G	str MCX, 5m cable, mag mnt
10001414G	str SMA, 5m cable, mag mnt
10001494G-02	TNC Plug, 5m cable, mag mnt
10001494G	TNC Plug, 5m cable, no mag
10001635G	TNC Plug 2m cable, mag mnt
10001319	optional direct mount

Other configurations quoted on request.

For configuration assistance, order placement and technical support call:



SYNERGY SYSTEMS, LLC
Time proven products and support

Phone: (858) 566-0666 · Fax (858) 566-0768

Email: oeminfo@synergy-gps.com · www.synergy-gps.com