

PN-10GC Passive GPS Patch Antenna

RoHS Compliant**General Description:**

The PN-10GC is a high performance passive GPS antenna module. The PN-10GC is ideal for embedded applications. It is easy to integrate or mount to accommodate different configurations. This data sheet specifies the basic operational characteristics of the PN-10GC passive GPS antenna patch under standard test conditions of 25° C and 50% relative humidity.

Physical Specifications:

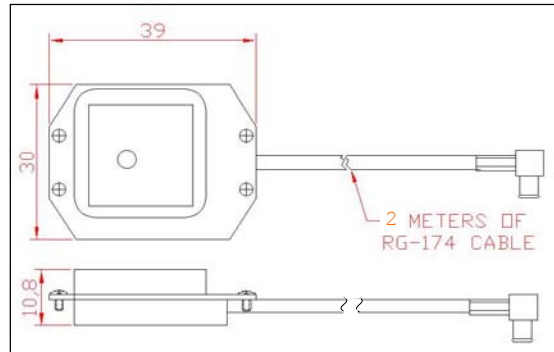
Parameter	Value
Dimensions:	39mm (L)x30mm (W) x 10.8mm (H)
Weight:	20 grams (excluding cable & connector)
Shielding:	Shielded with metal frame to prevent interference.
Cable:	Type RG-174, 2m length
Connector:	R/A MCX plug
Mounting Screws	M2.3*5

Antenna RF Characteristics:

Parameter	Value
Center Frequency:	1575.42 MHz +/- 1.023 MHz
Polarization:	R.H.C.P. (Right Hand Circular Polarization)
Absolute Gain at Zenith:	+5dBi typically
Gain at 10° Elevation	-1 dBi typically
Axial Ratio:	3 dB max
Output VSWR:	1.5 max
Output Impedance:	50 ohm

Environmental Specifications:

Parameter	Value
Operating Temperature	-30° C ~+85° C
Storage Temperature	-40° C ~+90° C
Relative Humidity	95% non-condensing
Waterproofing	Not waterproof

**Ordering Information:**

Part Number:	Configuration:
10001687G	R/A MCX plug, 2m cable
10001768G	R/A Sma Plug, 20cm cable
10001623G	TNC Plug, 22cm cable

For configuration assistance, order placement and technical support call:



SYNERGY SYSTEMS, LLC
Time proven products and support

Phone: (858) 566-0666 · Fax (858) 566-0768

Email: oeminfo@synergy-gps.com · www.synergy-gps.com