

Timing 1000, Dual Filtered GPS Timing Antenna



Timing1000 w/N Connector



Timing1000 w/TNC connector



Timing1000 w/Stainless Steel Mount Tube
(see page 2 for dimensional details)

General Description:

The Timing 1000 is a GPS antenna optimized for fixed location timing applications. Key features include:

Compact polycarbonate Radome with water/weatherproof physical construction. Directly replaces the discontinued Panasonic Marine II antenna

1"-14 marine mount allows cable to be routed through the support pipe protecting it from environmental damage.

Dual filtered, high gain of 30dB and low current of 27mA.

Environmental Specifications:

Parameter	Value
Operating Temperature Range:	-30° C to +85° C
Storage Temperature Range:	-40° C to +90° C
Humidity:	95% noncondensing
Water Proof	Water proof (Test condition IP66)

Physical Characteristics:

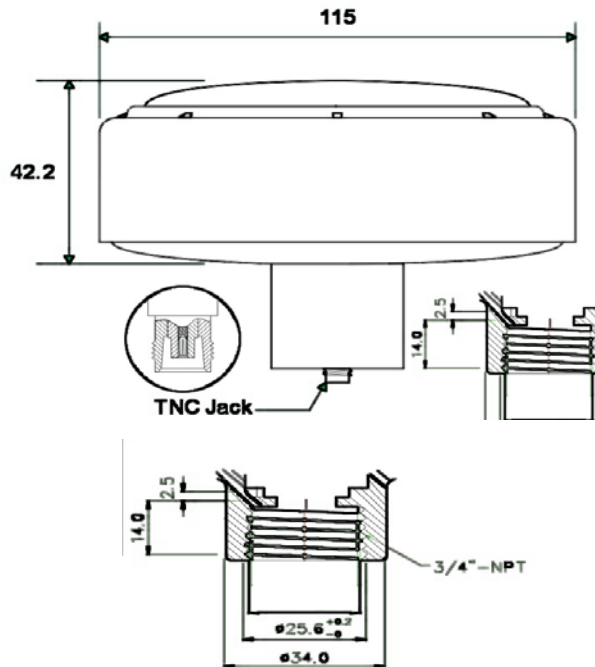
Parameter	Value
Weight:	220 grams
Housing Material	U/V stabilized polycarbonate
MTBF Ground Fixed	1,923,240 - at 30° C
MTBF Ground Mobile	1,234,605 - at 30° C

General Characteristics:

Parameter	Value
Operating Frequency:	1575.42 MHz, +/-1.023 MHz
Output Impedance:	50 Ohm
VSWR:	1.5:1 max
Polarization:	Right Hand Circular
Azimuth Coverage:	360°
Axial Ratio	3 dB max
Gain Characteristics of Antenna Element:	+5 dBi typically at zenith
Filtering:	30dB minimum @ Fo+/-50 MHz
LNA Gain:	30dB typical
Noise Figure:	2.0dB max
Power Requirements:	4.5-5.5 VDC
Power Consumption:	27mA@4.5V, 0.12W typ

Note: All performance measurements are typical and subject to change without prior notice

Dimensional Drawing:



Ordering Information:

Part Number	Configuration
10001044	Timing 1000 with Standard 1"-14THD marine mount, TNC connector
10101140G-1	Timing 1000 with N connector, (side version), w/Stainless steel mount tube, no cable.
10101140G	Timing 1000 with N connector, (side version), no mount
43001000G	Stainless Steel Mount Tube

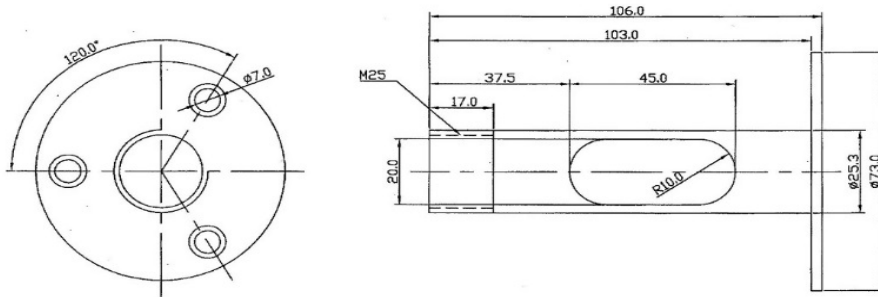
For configuration assistance, order placement and technical support call or Email:

SYNERGY SYSTEMS, LLC
Time proven products and support

Phone: (858) 566-0666 · Fax (858) 566-0768
Email: oeminfo@synergy-gps.com
<http://www.synergy-gps.com>

Timing 1000, Dual Filtered GPS Timing Antenna

Marine Mount Dimensions



Note: The standard Marine Mount P/N 430010000G features 1-14 straight marine thread on one end.

Timing1000 antennas can also be mounted using a 3/4 inch pipe with National Pipe Thread (NPT).

For configuration assistance, order placement and technical support call or Email:



SYNERGY SYSTEMS, LLC
Time proven products and support

Phone: (858) 566-0666 · Fax (858) 566-0768
Email: oeinfo@synergy-gps.com
<http://www.synergy-gps.com>

© Synergy Systems, LLC 2013 - 2017 All rights reserved.

SynPaQ® and Time Proven Products and Support® are registered trade marks of Synergy Systems, LLC
Prices and/or specifications subject to change without notice.