

Synergy Systems VIC-100 GPS Timing Antenna

**RoHS Compliant**



**General Description:**

The VIC-100 GPS antenna is the telecom industry standard. It's triple-filter LNA provides excellent signal reception in high RF interference environments. One version of the VIC-100 offers protection against lightning induced damage with circuitry that performs per IEC61000-4-5 standard.

**Physical Specifications**

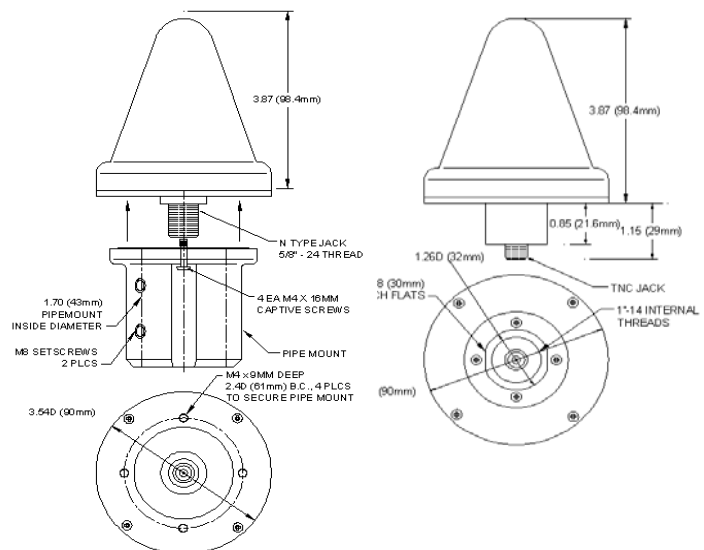
Parameter	Value
Dimensions:	90mm dia x120mm including connector
	Marine mount (TNC)
Construction	Cast aluminum base white polycarbonate radome

**Environmental Specifications**

Parameter	Value
Operating Temperature	-45° C ~+85° C
Storage Temperature	-40° C ~ +90°C

**Antenna Characteristics**

Parameter	Value
Center Frequency:	1575.42 MHz
Polarization:	R.H.C.P. (Right Hand Circular Polarization)
LNA Gain	+38dBi typically
Bandwidth	10Mhz
Filtering	-60dB @ +/- 50MHz from fo
Overall Noise Figure	1.8 dB typical
Output VSWR:	1.5 max
Output Impedance:	50 ohm
Power Input	+5VDC with reverse protection
Current Draw	20mA typ. 27 mA max.



**Ordering Information:**

Part Number:	Description
10001170G	TNC Jack, marine mount (1"-14 thread)
10001171G	N Jack, no mount (spare antenna for 10001192G)
10001221G	TNC Jack, Pipe clamp
10001192G	N Jack, Pipe clamp
10001818G	N Jack, Pipe clamp, Lightning protection

**For configuration assistance, order placement and technical support call:**



**SYNERGY SYSTEMS, LLC**  
Time proven products and support

Phone: (858) 566-0666 · Fax (858) 566-0768

Email: oeminfo@synergy-gps.com · www.synergy-gps.com