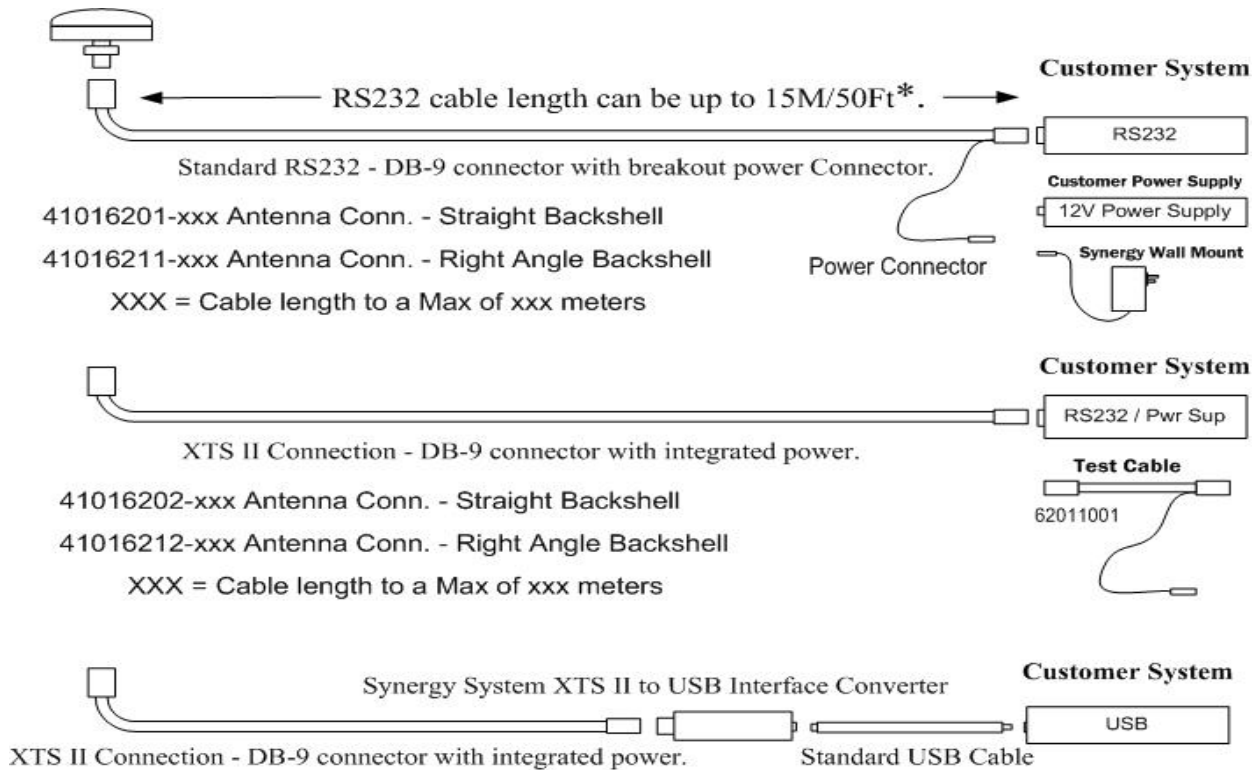
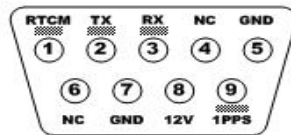


RS 232 Cable Options for SRA Antennas



XTS II Interface Pin-out



\* How to order Part Number 410162XX-XXX cabling for RS-232 Serial Communications:  
 The limitation on RS-232 is typically 15 meters. The total cable length can be longer than 15m/50ft when using compliant transceivers with low capacitance cable and 9600 baud or lower data rate. The XXX is the length in meters, 41016201-010 would be a 10 meter RS232 cable with a straight backshell Antenna power is supplied via the DC power connector. Synergy Systems LLC has a wall mount unit ready to use.

For configuration assistance, order placement and technical support call:

	<b>SYNERGY SYSTEMS, LLC</b> <i>Time proven products and support</i>	Phone: (858) 566-0666 · Fax (858) 566-0768 Email: <a href="mailto:oeinfo@synergy-gps.com">oeinfo@synergy-gps.com</a> <a href="http://www.synergy-gps.com">www.synergy-gps.com</a>
---	--	---